

Pipe Support Stand UVK

UVK pipe support stand is designed for the purpose of fixing of junction boxes through thermal insulation. Depending on the junction box, up to three self-regulating heating cables could be connected. The pipe support stand is fixed by means of metal straps directly onto pipes or tanks. With the UVK pipe

support stand insulation thickness up to 100 mm is possible. The design of the stand provides mechanical strength and high corrosive stability of electric equipment being mounted. All the necessary fixing elements for electric equipment in inner part of the device is included in the delivery set.

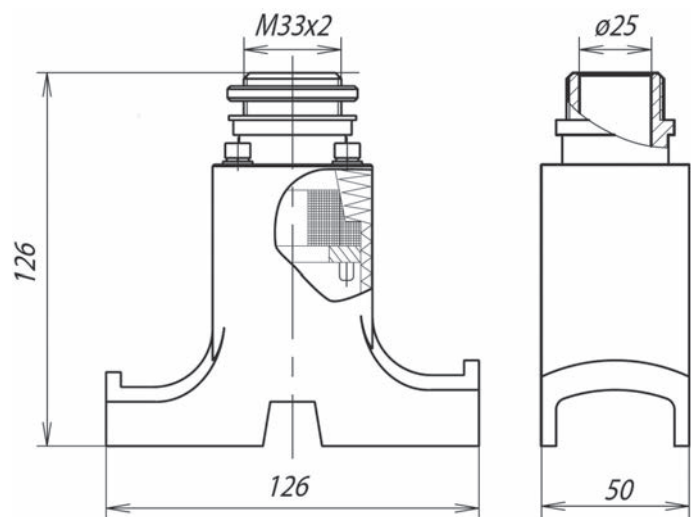
Features

- Efficient solution for installation of self-regulating heating cables through thermal insulation
- Excludes the risk of damage to self-regulating heating cables
- Quick and easy installation
- High thermal stability
- Non-corrosive

Application Areas

- Installation of self-regulating heating cables in non-hazardous and ex-hazardous areas

Construction



Pipe Installation Support

Technical Data

Degree of protection	IP66
Ambient temperature range	-60 ... +55 °C
Maximum exposure temperature	+240 °C (intermittent +260 °C)
Minimum installation temperature	-50 °C
Mechanical resistance	7J/7Nm
Dimensions	126×126×50 mm
Total weight	0.25 kg

Accessories (to be ordered separately):

Metal strap PFS/3 – for fixing onto a pipe. For ordering information, see “Accessories”.

Material Specification

Support stand	Glass fiber reinforced polyester
Sealing grommet	Silicone rubber
Nuts	Carbon steel
Locknut	Carbon steel
Washers	Zinc-coated brass
Screws	Carbon steel
Plate	Carbon steel

Approvals



* Certification is underway

Types

Name	Order code
Support stand UVK	3210001500